

# AQUA COOLER®



# PB1

BENCH TOP

POINT - OF - USE  
WATER  
COOLER

## MODEL

PB1 -COOK & COLD, BLACK/SOFT GREY

## FEATURES

Suits most modern offices or domestic applications.

Reliable, safe and efficient.

Easy to clean, sanitise and services.

“Whisper” quiet operation.

Compressor driven for optimal performance.

PROUDLY AUSTRALIAN MADE.

## CONTACT

# AQUA COOLER®

### WATER RESERVOIR

The PB1 has a stainless steel tanks, which holds approximately 1.8 litres of chilled water during normal usage. It has a chilling capacity of 5 litres per hour during peak periods.

### REFRIGERATION

The system PB1 uses 82 Gms of refrigerant R134A, which is non-toxic, non-flammable and non-ozone depleting. Refrigerant flow is controlled by a capillary tube, which has no moving parts.

### TEMPERATURE CONTROL

The thermostats are factory pre-set.

### COMPRESSORS

1/16 h.p. capacity, 49 watts. The compressor is hermetically sealed for silent running.

### CONDENSER

All copper tube and aluminium fin construction.

### ELECTRICAL

240 volts, 50Hz. A 2 metre house cable and 3 pin plug are supplied. Full load current is 0.81amps.

### PERFORMANCE TO ARI 1010-94 STANDARD

Inlet water - 26.7°C  
 Outlet water - 10°C  
 Ambient Air - 32.2°C

### WEIGHT - PACKED

PB1 - 14kg

### DIMENSIONS - PACKED

Width - 295mm  
 Depth - 372mm  
 Height - 260mm

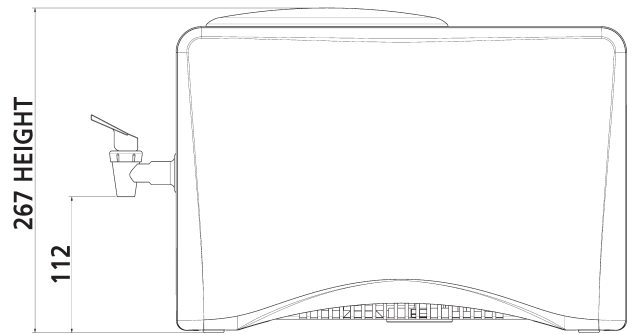
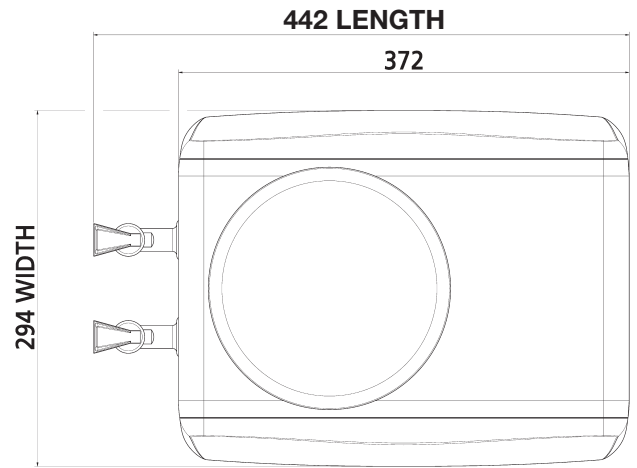
Container Capacity  
 20ft - 760 units  
 40ft - 1520 units

### WARRANTY

Twelve months comprehensive coverage.  
 Five years for compressor replacement.



# PB1 BENCH TOP



DISTRIBUTED BY

### OTHER FEATURES

Minimum Operating Pressure - 100kpa.

Maximum Operating Pressure - 700kpa.

We recommend a 350kpa pressure reduction valve fitted prior to the coolers.

All food grade materials.

Automatic refill function using quality reliable float valve assembly.